

## JAR

### CHARACTERISTICS:

Indoor and outdoor use

### FINISH:

Base: concrete  
Burner: stainless steel  
Upper cylinder: tempered glass

### TECHNICAL DATA:

Minimum room size: 14m<sup>2</sup>  
Burner capacity: 1L  
Burning time: 3,5 – 4,5h approx.  
Net weight: 47kg

### STANDARD EQUIPMENT:

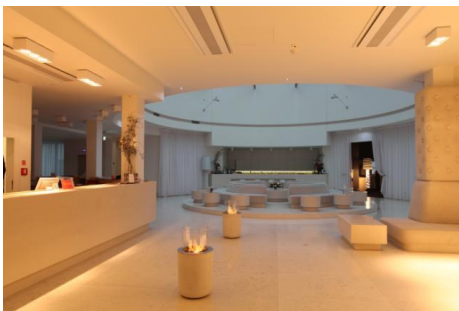
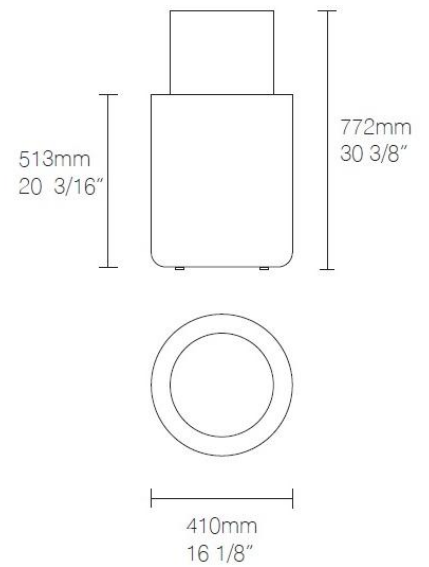
cover,  
decorative stones,  
burner operating tool –  
used for igniting and cutting the flame,  
lighter,  
user's manual

### OPTIONAL ACCESSORIES:


- aromatherapy set

### RECOMMENDED FUEL:

[www.fanola.com](http://www.fanola.com)



## TECHNICAL DATA

MODEL			JAR
Material		Concrete	
Colour		gray	
Flame size regulation		-----	
Minimum room size	[m <sup>2</sup> ]	14	
Burner container capacity	[l]	1	
Burning time (approx.) from...to...	[h]	3 – 3,5 h	
Heat output [max]	[Btu/h]	6 483	
Length	[mm]		
Depth / Width	[mm]		
Height	[mm]	513	
Height including glass cylinder	[mm]	772	
Diameter	[mm]	410	
Net weight	[kg]	47	
Standard equipment		2+4+8+9+12	
Optional accessories			

(\*\*)Standard equipment, (\*\*\*) Optional accessories

1. Fanola® fueling cup
2. Decorative stones
3. Decorative sand
4. Burner operating tools  
(used for igniting and cutting the flames)
5. Burner operating, flame regulating  
and extinguishing tool
6. Installation parts
7. Funnel
8. Lighter
9. Cover
10. Aromatherapy set
11. Glass shield
12. Users manual

